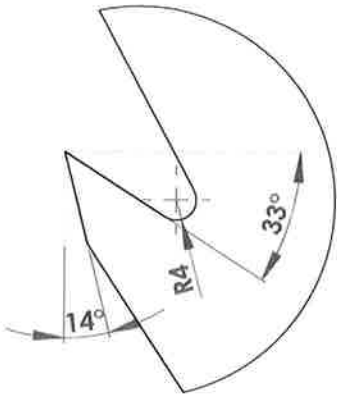
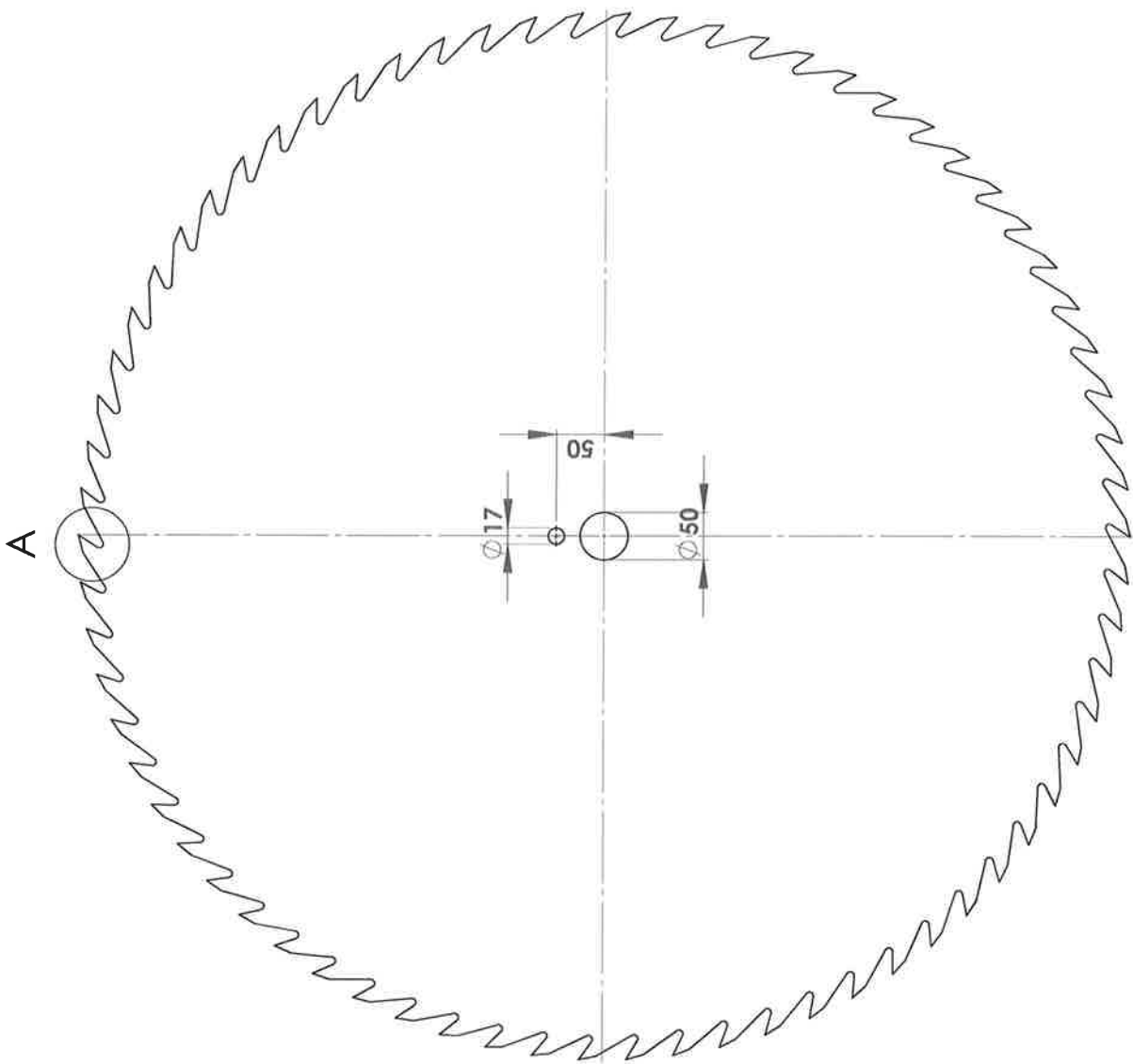


Haritetaan
Villataan

Ø 900x Ø 50x3.6
Z=56
l=50,46

HA 1593

<p>TOIJALA, Finland</p>	Size	1:10	General Tolerance:	
	HRC:		Projection:	
	Material:	1.2235	Coating:	N/mm ²
			Circular Saw Blade	
			Material Number (SAP)	
			501459	
			OBM	
			C-91218	
			REV.00	
			CAD-Drawing changing by hand not allowed	
Rev.	Changing	Date	Name	Weight
1				
2				
3				
4				



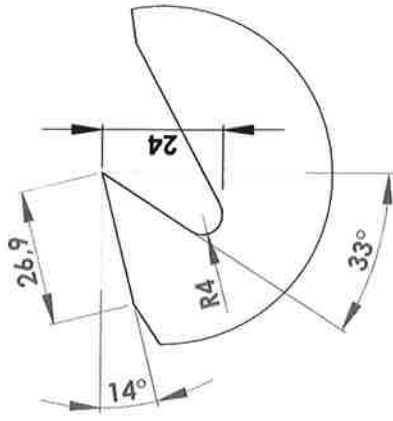
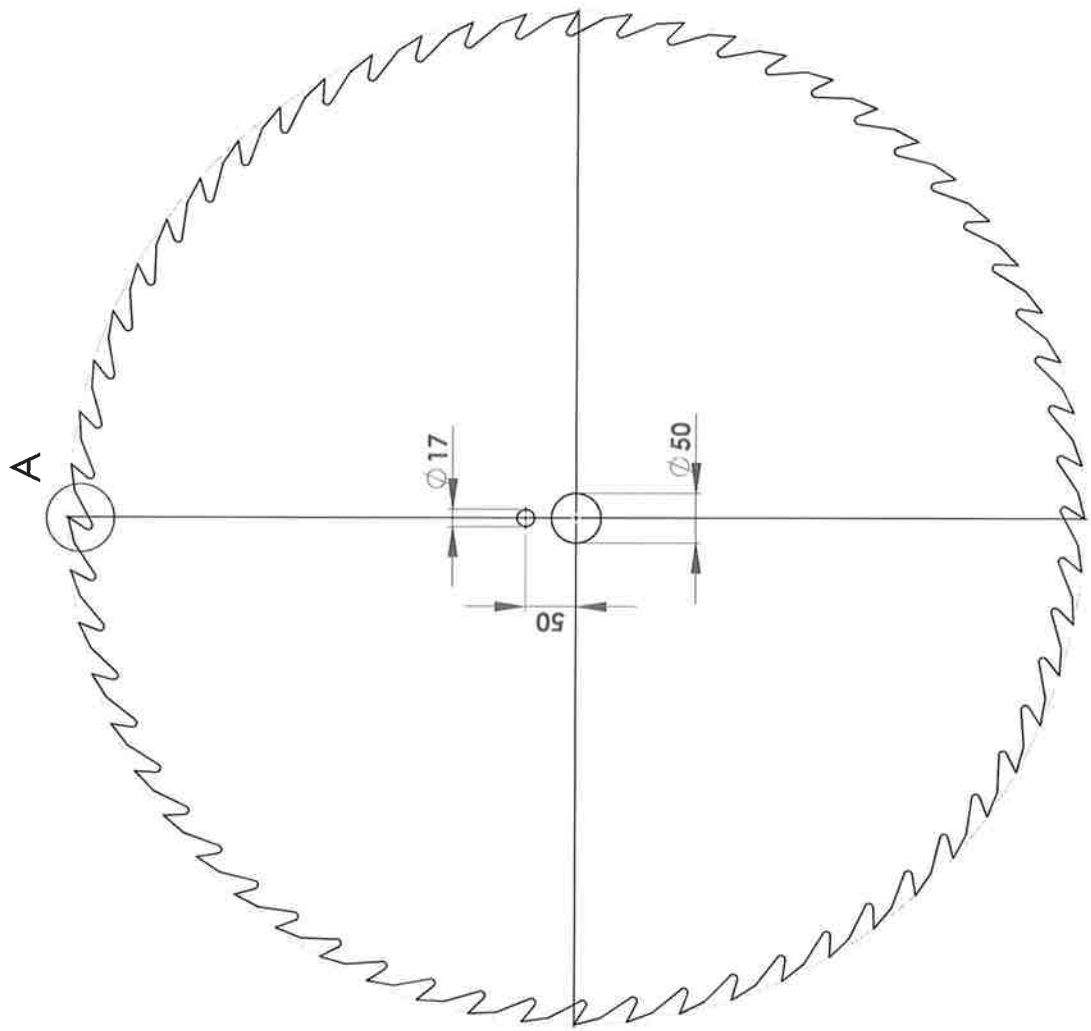
DETAIL A
SCALE 1:1

Haritetaan
Villataan

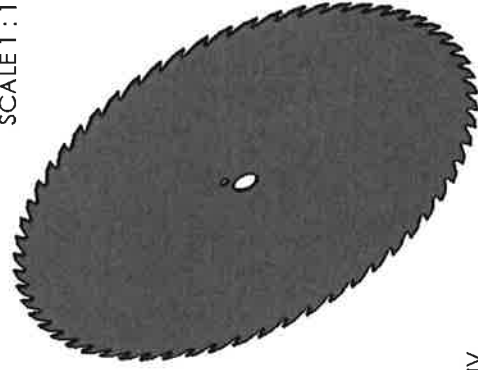
Ø 1100xØ 50x4 HV
Z=70

HA 1534

		Size I10 HRC:	General Tolerance: Projection:	Code:	N/mm ²
1 2235 Date: 2009.11.02 Checked: 0001.01.01		Saw Blade OEM		Material Number (SAP) 501454	
ITT Technology Oy AB		C-91152			REV.00
Changing	Date	Name	Weight	Calculating changing by hand not allowed	



DETAIL A
SCALE 1:1



Hariteaan
Villataan

Ø 1000x Ø 50x4 HV
Z=60
t=52.3

HA 1478

		Size 1:10 HRC: General Tolerance: Projection: Casted: N/mm²:
Item Material Name: 1.2235	Date: Name: Drawn by: 2010.03.14 J.H.T. Checked: 0901.03.01	Circular Saw Body OEM Material Number (SAP) 501451
TOIJALA, Finland	TTT Technology Oy AB	C-91159 REV.01
Rev. Changing	Date	Name Weight CAC Drawing changing by hand not allowed